



120x120x38 mm/4.7x1.5 inch, 118~65 CFM

TD1238 General specification



- Motor: Brushless DC, auto cutoff, auto restart, locking and polarity protected motor
- Motor Protection:
- Frame: Glass fiber reinforced PBT thermoplastic, UL94V-0
- Impeller: Glass fiber reinforced PBT thermoplastic, UL94V-0 impeller
- Bearing: Double sealed high precision ball bearing
- Rotation: CCW looking at of rotor, air inlet side of housing
- Operating Temp: Ball bearings -20C~ +70C
- Storage Temp:
- Life Expectancy: Ball bearings 65,000 hours at 45C, 50,000 hours at 65C
- Dielectric Strength: 500 VAC/sec. Max leakage 500 micro amp
- Connection: Wire or Terminal
- Weight: 280 g (0.62 Lbs)

Model	Rated Voltage	Voltage Range	Input Power	Rated Current	Ref. Speed	Max Airflow	Max Pressure		Noise
	VDC	VDC	W	A	RPM	CFM	M3/Min	Inch/H2O mm	
TD1238-HHH-5	5	4~6	9.5	1.9	3600	110	3.11	0.48 12.19	46
TD1238-HH-5	5	4~6	8	1.6	3300	98	2.78	0.43 10.92	43
TD1238-H-5	5	4~6	3.5	0.65	2900	85	2.41	0.28 7.11	40
TD1238-M-5	5	4~6	3.0	0.55	2400	72	2.04	0.18 4.57	32
TD1238-L-5	5	4~6	2.0	0.40	2000	65	1.84	0.13 3.30	26
TD1238-HHH-12	12	8~13.8	10.6	0.88	4000	118	3.34	0.52 13.21	48
TD1238-HH-12	12	8~13.8	8.4	0.7	3500	105	2.97	0.45 11.43	45
TD1238-H-12	12	8~13.8	6.0	0.50	3000	88	2.49	0.29 7.37	42
TD1238-M-12	12	8~13.8	4.8	0.40	2500	75	2.12	0.18 4.57	33
TD1238-L-12	12	10~14	2.4	0.20	2000	65	1.84	0.13 3.30	26
TD1238-HHH-24	24	15~26	10.3	0.43	4000	118	3.34	0.52 13.21	48
TD1238-HH-24	24	15~26	8.4	0.35	3500	105	2.97	0.45 11.43	45
TD1238-H-24	24	15~26	5.5	0.23	3100	90	2.55	0.31 7.87	42
TD1238-M-24	24	18~27	4.6	0.19	2550	75	2.12	0.21 5.33	33
TD1238-L-24	24	18~27.6	3.6	0.15	2000	65	1.84	0.13 3.30	26
TD1238-HHH-48	48	28~55	10.6	0.22	4000	118	3.34	0.52 13.21	48
TD1238-HH-48	48	28~55	7.7	0.16	3500	105	2.97	0.45 11.43	45
TD1238-H-48	48	28~55	5.5	0.10	3100	90	2.55	0.31 7.87	42
TD1238-M-48	48	28~55.2	4.6	0.08	2550	78	2.21	0.23 5.84	33
TD1238-L-48L	48	30~56	3.6	0.07	2000	65	1.84	0.13 3.30	26

Related Product Information

Please see our related items below for suggested products to use with this item:

- Metal Fan Guard: TWG-120
- Plastic Fan Guard: TPG-120
- Plastic Fan Filter: TFK-120-30, TFK-120-45
- Metal Fan Screen: TMS-120

Related Technical Information

-Optional Function Leads:

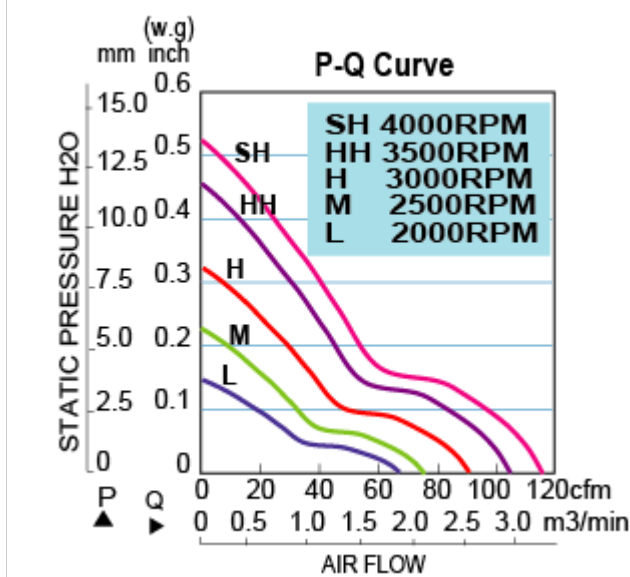
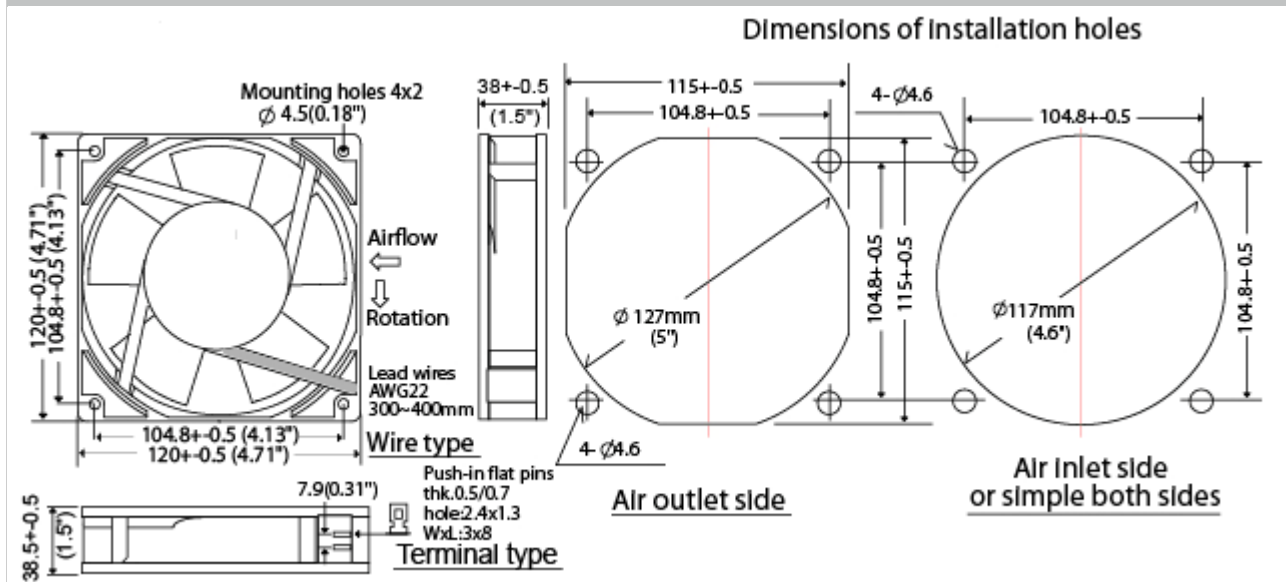
*Alarm, motor stop, cutoff sensor signals (L, run-Low, stop-High for alarm function, color yellow lead)

*Tach speed sensor output, open collector, 2 square waves per revolution, or TTL 4.4~5 VDC optional (T, white lead)

*Speed control:

- H, NTC thermistor thermal control 1800~3400RPM/4.7~10K ohm vs 45~20C(H, orange lead)
- P, Pulse Width Modulation, microprocessor programmable CPU speed control, 10~100%, full stop & 10 speed stages; 800~3800RPM (P, purple lead)
- V, Control voltage speed setting, Analog 0~10V vs speed RPM speed control via separate DC low voltage interface (V, gray lead)

Fan Performance Curves and Dimension



* TEI reserves the right to change data and specs without notice* Tests are at nominal rated voltage against zero static pressure* Specifications subject to change without notice, data tolerance +-10%